

Ecoflo[®] Coco Filter

EC7-750-C-PDV Technical Data Sheet

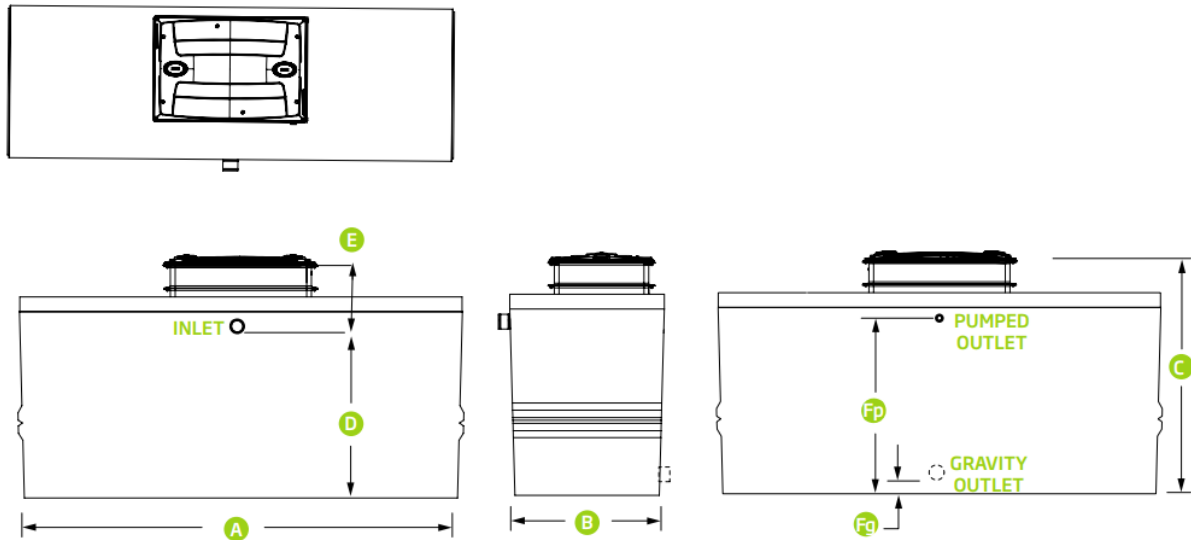
If you have any questions or comments please contact the customer service at 1 800 632-6356.

Components provided by Premier Tech

- **Lid, access, central support, tipping bucket, distribution plates:** plastic;
- **Filtering media:** natural fibers.

	EC7-750-C-PDV
Type of disposal	Pumped
Type of bottom	Watertight
Length (A)	151 1/4" (3,840 mm)
Width (B)	52 3/4" (1,340 mm)
Height (C)	81 1/4" (2,064 mm)
Inlet height (D) (from the bottom)	56" (1,422 mm)
Inlet height (E) (from the lid)	25 1/4" (641 mm)
Outlet height (Fp)	60" (1,524 mm)
Water inlet diameter (nominal)	4" (100 mm)
Water outlet diameter (nominal)	1 1/2" (38 mm)
Weight of tank including top slab, internal components and filtering media*	15,840 lb (7,185 kg)
Treatment surface area	44 ft ² (4.1 m ²)

* Weights are approximate and not binding (for handling and lifting purposes only).



Dosing volume

FLOAT STEM SLEEVE & RUBBER STOPPER	SLEEVE LENGTH	VOLUME OF THE DOSE
Factory setting	4-1/2"	20 US GAL
Lower the rubber stopper 2-1/4" along the stem (or until identification mark on stem)	4-1/2"	95 US GAL
Cut 1" off the sleeve & lower the rubber stopper 2-1/4" along the stem (or until identification mark on stem)	3-1/2"	120 US GAL
Cut 2" off the sleeve & lower the rubber stopper 2-1/4" along the stem (or until identification mark on stem)	2-1/2"	140 US GAL
Cut 3" off the sleeve & lower the rubber stopper 2-1/4" along the stem (or until identification mark on stem)	1-1/2"	170 US GAL
Remove the sleeve & lower the rubber stopper 2-1/4" along the stem (or until identification mark on stem)	0"	190 US GAL

