

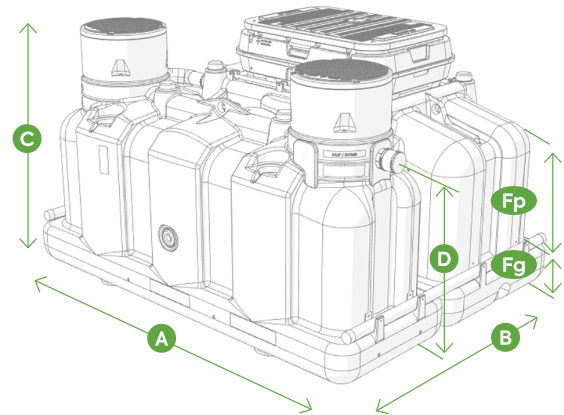
# ECOFLO<sup>®</sup>

Ecoflo compact biofilter –  
Polyethylene ECP PACK model series

This is the technical data sheet of the Ecoflo<sup>®</sup> compact biofilter – Polyethylene ECP PACK models. If you have any questions or comments please contact the customer service at 1 800 632-6356.

### MATERIAL USED

- **Shell:** polyethylene;
- **Monobloc configuration:** Pack
- **Lid, central support, tipping bucket, distribution plates and sampling device:** plastic;
- **Filtering media:** organic natural fibers.



	Ecoflo compact biofilter 3.4 - PACK		Ecoflo compact biofilter 4.1 - PACK	
	ECP-450-P-P-PACK	ECP-450-P-G-PACK	ECP-530-P-P-PACK	ECP-530-P-G-PACK
Type of disposal	pumped	gravity	pumped	gravity
Type of bottom	closed			
Treatment surface area	3,4 m <sup>2</sup> (37 ft <sup>2</sup> )		4,1 m <sup>2</sup> (44 ft <sup>2</sup> )	
Daily Flow	450 US gallons per day		530 US gallons per day	
Length <b>A</b>	3 550 mm (11' 7-3/4")		4 050 mm (13' 3-1/2")	
Width <b>B</b>	2 485 mm (8' 1-3/4")		2 485 mm (8' 1-3/4")	
Height <b>C</b>	1 770 mm (5' 9-3/4")		1 770 mm (5' 9-3/4")	
Inlet height <b>D</b>	1 285 mm (4' 2-1/2")		1 285 mm (4' 2-1/2")	
Outlet height <b>Fg</b>	1 140 mm (3' 9")	N/A	1 140 mm (3' 9")	N/A
Outlet height <b>Fp</b>	N/A	38 mm (1½")	N/A	38 mm (1 1/2")
Total Storage volume above alarm float	2515 L (665 USG)		2 875 L (760 USG)	
Built-in effective volume available for dosing	680 L (180 USG)	N/A	755 L (200 USG)	N/A
Weight* (including internal components and dry filtering media)	850 kg (1 870 lb)	840 kg (1 850 lb)	660 kg (1 455 lb)	650 kg (1 430 lb)

\* Weights indicated are approximate and not binding (for handling and lifting purposes only).