

Technical data sheet

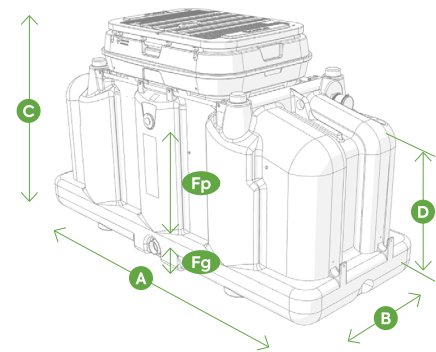
ECOFLO[®]

Ecoflo compact biofilter –
Polyethylene EC5 model series

This is the technical data sheet of the Ecoflo[®] compact biofilter – Polyethylene ECP models. If you have any questions or comments please contact the customer service at 1 800 632-6356.

MATERIAL USED

- **Shell:** polyethylene;
- **Lid, central support, tipping bucket, distribution plates and sampling device:** plastic;
- **Filtering media:** organic natural fibers.



	Ecoflo compact biofilter 3.4		Ecoflo compact biofilter 4.1	
	ECP-450-P-G	ECP-450-P-P	ECP-530-P-G	ECP-530-P-P
Type of disposal	gravity	pumped	gravity	pumped
Type of bottom	closed			
Treatment surface area	3,4 m ² (37 ft ²)		4,1 m ² (44 ft ²)	
Daily Flow	450 US gallons per day		530 US gallons per day	
Length A	3 550 mm (11' 7-3/4")		4 050 mm (13' 3-1/2")	
Width B	1 280 mm (4' 2-1/2")		1 280 mm (4' 1/2")	
Height C	1 770 mm (5' 9-3/4")		1 770 mm (5' 9-3/4")	
Inlet height D	1 230 mm (4' 1/2")		1 230 mm (4' 1/2")	
Outlet height Fg	N/A	1 140 mm (3' 9")	N/A	1 140 mm (3' 9")
Outlet height Fp	38 mm (1½")	N/A	38 mm (1½")	N/A
Total Storage volume above alarm float	2 515 L (665 USG)		2 875 L (760 USG)	
Built-in effective volume available for dosing	N/A	680 L (180 USG)	N/A	755 L (200 USG)
Weight* (including internal components and dry filtering media)	600 kg (1 320 lb)	610 kg (1 345 lb)	650 kg (1 430 lb)	660 kg (1 455 lb)

* Weights indicated are approximate and not binding (for handling and lifting purposes only).