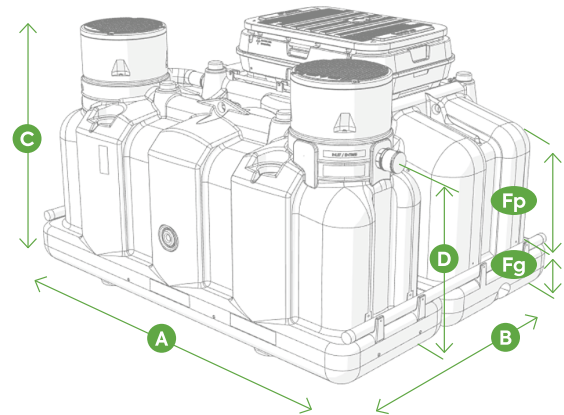


This is the technical data sheet of the **Ecoflo<sup>®</sup> compact biofilter – Polyethylene EC7 PACK model series**. If you have any questions or comments please contact the customer service at **1 800 632-6356**.

### MATERIAL USED

- **Shell:** polyethylene;
- **Monobloc configuration:** Pack
- **Lid, central support, tipping bucket, distribution plates and sampling device:** plastic;
- **Filtering media:** organic natural fibers.



	Ecoflo compact biofilter 2.8 - PACK		Ecoflo compact biofilter 3.4 - PACK		Ecoflo compact biofilter 4.1 - PACK	
	EC7-500-P-P-PACK-USA EC7-1900-P-P-PACK-CAN	EC7-500-P-G-PACK-USA EC7-1900-P-G-PACK-CAN	EC7-600-P-P-PACK-USA EC7-2200-P-P-PACK-CAN	EC7-600-P-G-PACK-USA EC7-2200-P-G-PACK-CAN	EC7-750-P-P-PACK-USA EC7-2900-P-P-PACK-CAN	EC7-750-P-G-PACK-USA EC7-2900-P-G-PACK-CAN
Type of disposal	pumped	gravity	pumped	gravity	pumped	gravity
Type of bottom	closed					
Treatment surface area	2,8 m <sup>2</sup> (30 ft <sup>2</sup> )		3,4 m <sup>2</sup> (37 ft <sup>2</sup> )		4,1 m <sup>2</sup> (44 ft <sup>2</sup> )	
Daily Flow	500 US gallons per day (1 895 Liters per day)		600 US gallons per day (2 270 Liters per day)		750 US gallons per day (2 840 Liters per day)	
Length <b>A</b>	3 120 mm (10' 2-3/4")		3 550 mm (11' 7-3/4")		4 050 mm (13' 3-1/2")	
Width <b>B</b>	2 485 mm (8' 1-3/4")		2 485 mm (8' 1-3/4")		2 485 mm (8' 1-3/4")	
Height <b>C</b>	1 770 mm (5' 9-3/4")		1 770 mm (5' 9-3/4")		1 770 mm (5' 9-3/4")	
Inlet height <b>D</b>	1 285 mm (4' 2-1/2")		1 285 mm (4' 2-1/2")		1 285 mm (4' 2-1/2")	
Outlet height <b>Fg</b>	1 140 mm (3' 9")	N/A	1 140 mm (3' 9")	N/A	1 140 mm (3' 9")	N/A
Outlet height <b>Fp</b>	N/A	38 mm (1½")	N/A	38 mm (1½")	N/A	38 mm (1 1/2")
Total Storage volume above alarm float	2 060 L (545 USG)		2515 L (665 USG)		2 875 L (760 USG)	
Built-in effective volume available for dosing	605 L (160 USG)	N/A	680 L (180 USG)	N/A	755 L (200 USG)	N/A
Weight* (including internal components and dry filtering media)	760 kg (1 675 lb)	750 kg (1 650 lb)	850 kg (1 870 lb)	840 kg (1 850 lb)	660 kg (1 455 lb)	650 kg (1 430 lb)

\* Weights indicated are approximate and not binding (for handling and lifting purposes only).