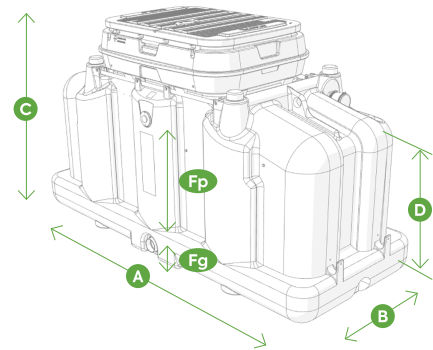


This is the technical data sheet of the **Ecoflo[®] compact biofilter – Polyethylene EC7 model series**. If you have any questions or comments please contact the customer service at **1 800 632-6356**.

MATERIAL USED

- **Shell:** polyethylene;
- **Lid, central support, tipping bucket, distribution plates and sampling device:** plastic;
- **Filtering media:** organic natural fibers.



	Ecoflo compact biofilter 2.8		Ecoflo compact biofilter 3.4		Ecoflo compact biofilter 4.1	
	EC7-500-P-G-USA EC7-1900-P-G-CAN	EC7-500-P-P-USA EC7-1900-P-P-CAN	EC7-600-P-G-USA EC7-2200-P-G-CAN	EC7-600-P-P-USA EC7-2200-P-P-CAN	EC7-750-P-G-USA EC7-2870-P-G-CAN	EC7-750-P-P-USA EC7-2870-P-P-CAN
Type of disposal	gravity	pumped	gravity	pumped	gravity	pumped
Type of bottom	closed					
Treatment surface area	2,8 m ² (30 ft ²)		3,4 m ² (37 ft ²)		4,1 m ² (44 ft ²)	
Daily Flow	500 US gallons per day (1 895 Liters per day)		600 US gallons per day (2 270 Liters per day)		750 US gallons per day (2 840 Liters per day)	
Length A	3 120 mm (10' 2-3/4")		3 550 mm (11' 7-3/4")		4 050 mm (13' 3-1/2")	
Width B	1 280 mm (4' 2-1/2")		1 280 mm (4' 2-1/2")		1 280 mm (4' 1/2")	
Height C	1 770 mm (5' 9-3/4")		1 770 mm (5' 9-3/4")		1 770 mm (5' 9-3/4")	
Inlet height D	1 230 mm (4' 1/2")		1 230 mm (4' 1/2")		1 230 mm (4' 1/2")	
Outlet height Fg	N/A	1 140 mm (3' 9")	N/A	1 140 mm (3' 9")	N/A	1 140 mm (3' 9")
Outlet height Fp	38 mm (1½")	N/A	38 mm (1½")	N/A	38 mm (1½")	N/A
Total Storage volume above alarm float	2 060 L (545 USG)		2 515 L (665 USG)		2 875 L (760 USG)	
Built-in effective volume available for dosing	N/A	605 L (160 USG)	N/A	680 L (180 USG)	N/A	755 L (200 USG)
Weight* (including internal components and dry filtering media)	550 kg (1 210 lb)	560 kg (1 235 lb)	600 kg (1 320 lb)	610 kg (1 345 lb)	650 kg (1 430 lb)	660 kg (1 455 lb)

* Weights indicated are approximate and not binding (for handling and lifting purposes only).